



langir[®]

Capacitive switch
www.langir.com



FEATURES

Bushing diameter:
16 (.630), 19 (.748), 22 (.866) or 25(0.984)

Activated by the touch of a finger

50 million cycles

Auto-calibration function

Momentary or latching

Illuminated and Non-illuminated

The new CP series capacitive switches technology senses the touch of a finger and creates an electrical charge to activate the switches

An auto-calibration function ensures the sensor adapts to changing external environments.

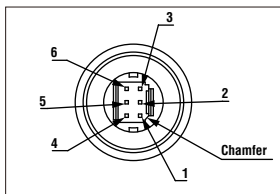
LANGIR's capacitive switches are specially designed for durability and a low activation force. As sensitive as a touch screen, the capacitive switches are perfect for industrial applications where repetitive activation can cause operator fatigue.



This switch should not be used in safety applications.



WIRING FOR SWITCH CONNECTOR



- Pin 1 : GND
- Pin 2 : output
- Pin 3 : +V
- Pin 4 : LED 2
- Pin 5 :
- Pin 6 : LED 1



WIRING DIAGRAMS



ENVIRONMENTAL SPECIFICATIONS

- Sealing : IP68 and IP69K according to IEC 60529
- Triggered by flowing water
- Impact resistance : IK10
- Operating temperature : -20 °C to +65 °C (-4 °F to +149 °F)
- ESD : complies with EN61000-4-2 (extended) ± 8KV (20 contacts) and ± 15KV (20 air discharges)



ELECTRICAL SPECIFICATIONS

- Max. current/voltage rating : 200 mA 24VDC, 1A 24VDC or request
- Supply voltage : 5 VDC, 12 VDC or 24 VDC
- Life expectancy : 50 million cycles
- Power consumption non-illuminated : 7 mA
- Power consumption illuminated : 25 mA
- Operating force : 0 N
- LED state for output image option :
1 LED : the LED is ON when the output is closed.
2 LEDs : first color is ON when the output is open. Second color is ON when the output is closed.
- Output type : NPN or PNP



MATERIALS

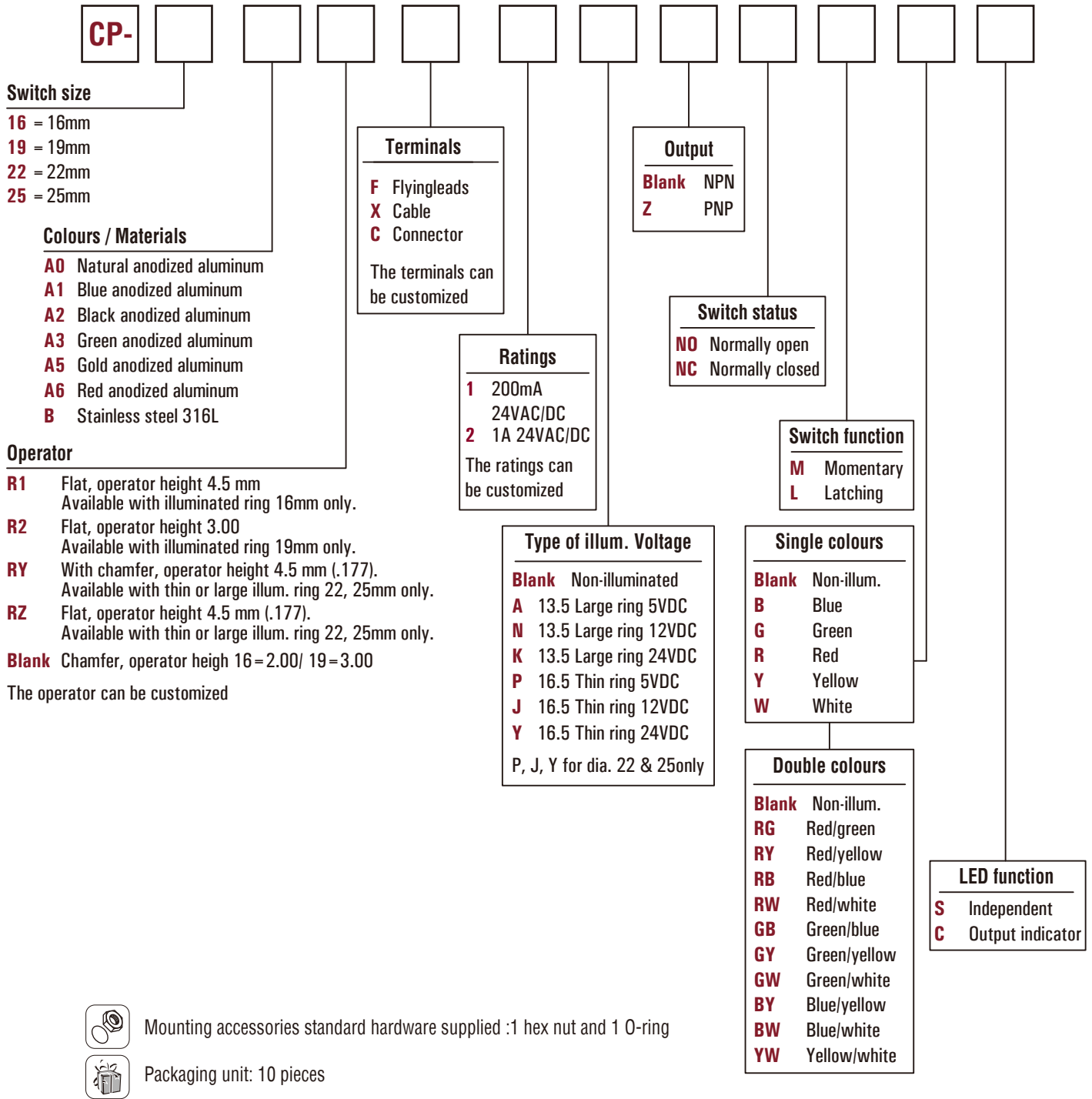
- Case : aluminum, anodized or stainless steel 316L
- Multi-wire leads section 0.22 mm² length 300 mm
- Cable, length 300 mm, section depending on switch model
- Connector : HE14 6V compatible with AMP/TYCO281839-3

Output Type	Non-illuminated	1 LED		2 LEDs		Legend
		Output indicator	Independent	Output indicator	Independent	
NPN						R red +V Black black GND W white output A = same colour as LED
PNP						Wire colours may vary. Always refer to the label on the switch.

Dimensions: first dimensions are in mm while inches are shown as bracketed numbers.

Tolerance: The general tolerance for dimensions in this brochure is ± 0,3 (.012).

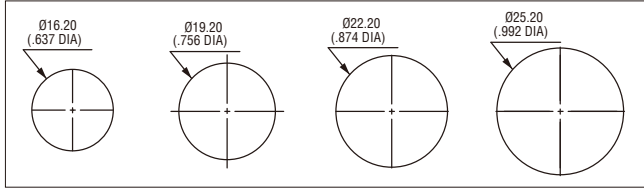
Dimensions, specifications and data shown in this brochure are subject to change without notice.



For options not listed above, please contact LANGIR.

The appearance of the products listed on this file, color, parameters are for reference only, issued a kind of Langir Company shall prevail.

LANGIR Company reserves the right to modify or cancel the relevant parameters of this file does not advance notice.
 If in doubt, please contact customer service hotline.



Shown with flying lead terminals.

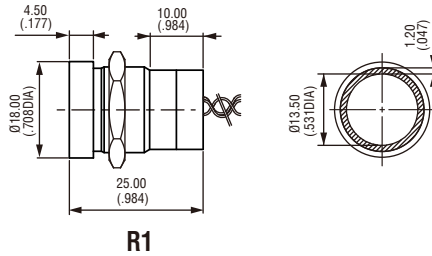
Bushing Ø 16 mm (.630)



CP16BFR1FANOMBC

Flat

Chamfer



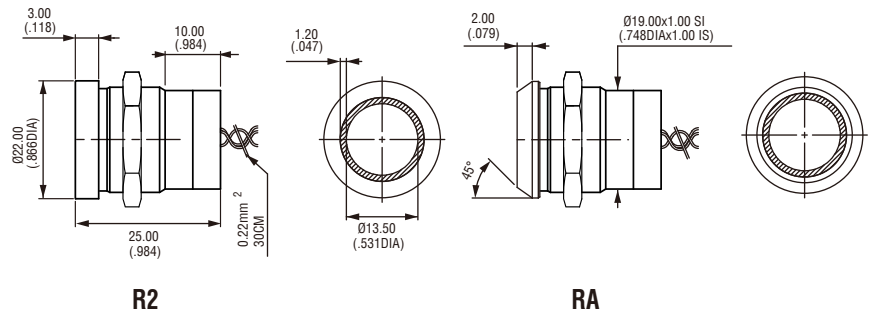
Bushing Ø 19 mm (.748)



CP19BR2FKNOLBC

Flat

Chamfer



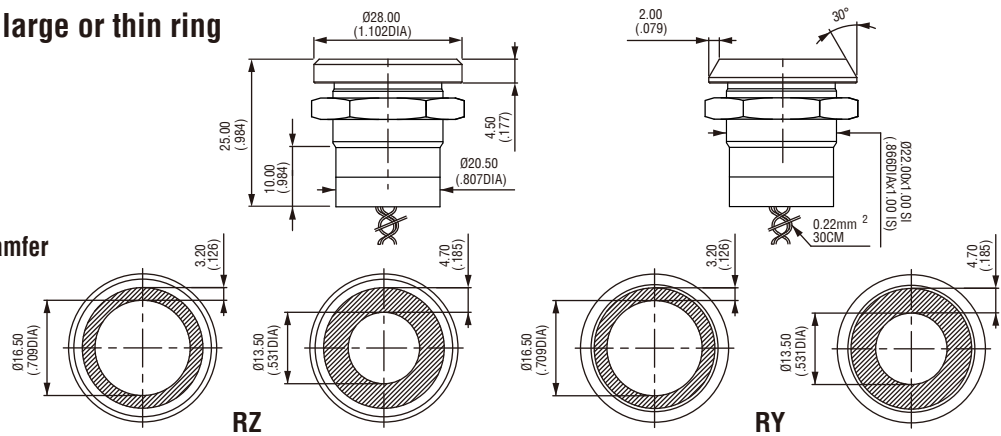
Bushing Ø 22 mm (.866) - large or thin ring



CP22BRYFNNOMBC

Flat

Chamfer



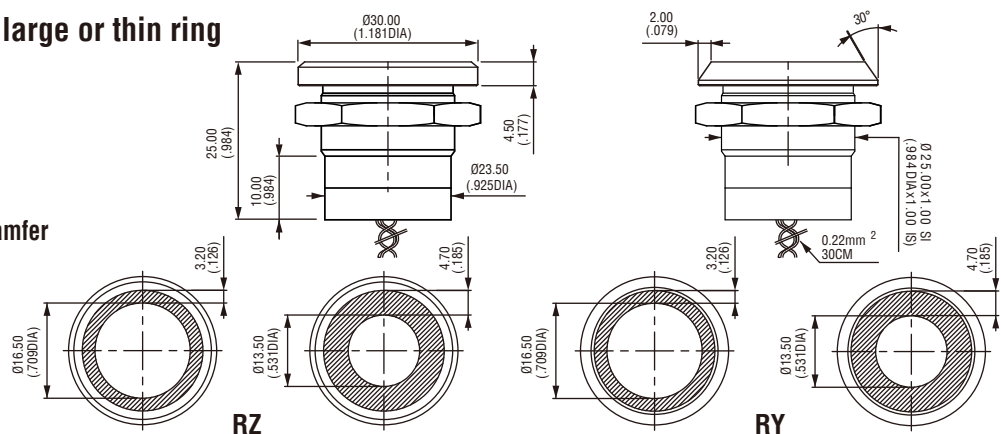
Bushing Ø 25 mm (.984) - large or thin ring



CP25BRZFNNOMBC

Flat

Chamfer



©Copyright Langir Electric All Right Reserved.

Disclaimer: The appearance of the products listed on this catalogue, color, parameters are for reference only, issued a kind of Langir Electric Company shall prevail.

Langir Electric Company reserves the right to modify or cancel the relevant parameters of this catalogue does not advance notice. If in doubt, please contact your sales representative.



YUEQING LANGIR ELECTRIC CO., LTD.

ADD: 4F, NO. 188 LIUQING NORTH RD, LIUSHI, YUEQING, ZHEJIANG, CHINA 325604

FAX: 86 (577) 62737671

TEL: 86 (577) 62737672 62737670

MAIL: langir@langir.com

Http://www.langir.com